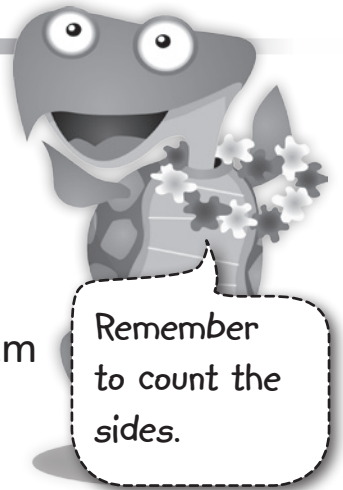
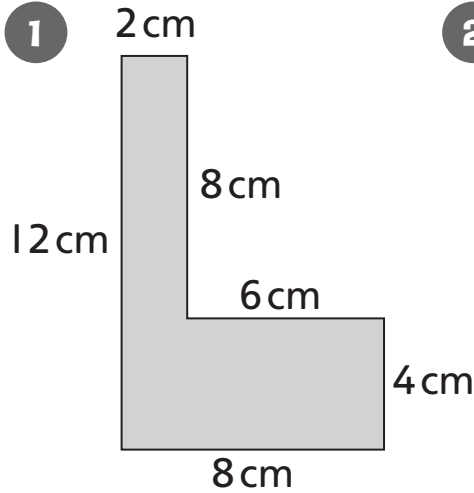


Shape up!

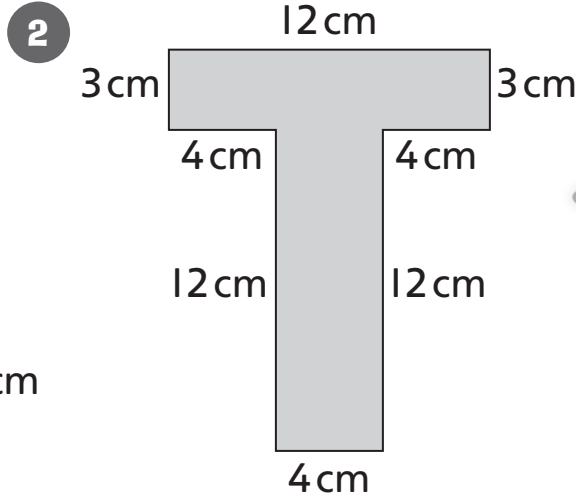


Write the name of each shape and calculate its perimeter.



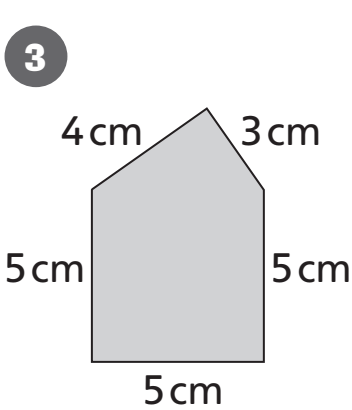
Hexagon

Perimeter:
40 cm



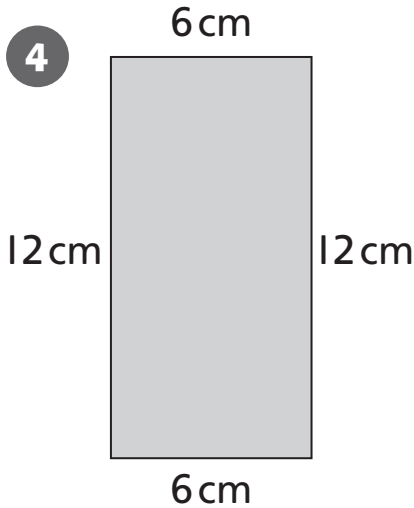
Octagon

Perimeter:
54 cm



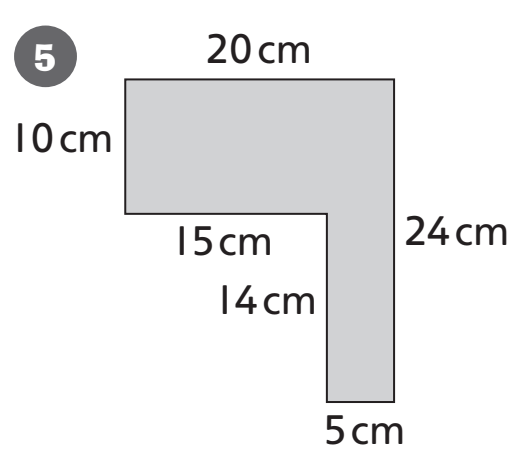
Pentagon

Perimeter:
22 cm



Rectangle

Perimeter:
36 cm

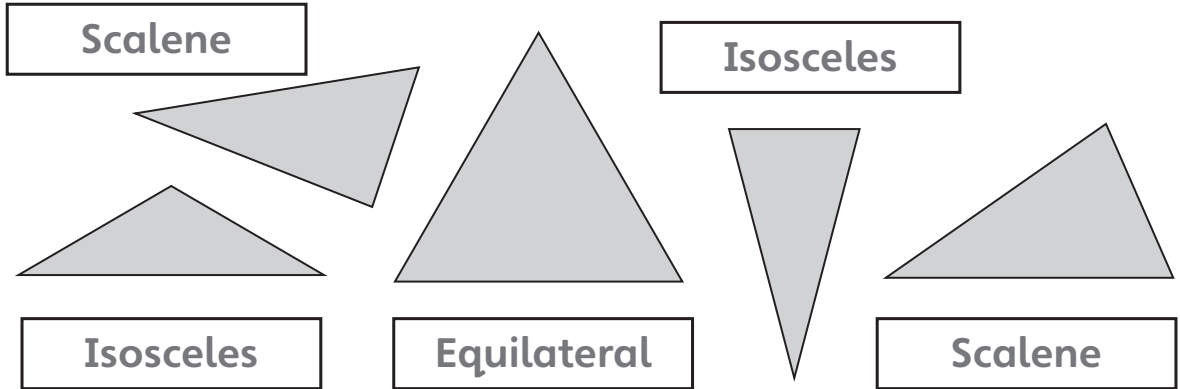


Hexagon

Perimeter:
88 cm

Which triangle?

- 6 Look at these triangles and label each one scalene, isosceles or equilateral.



Perimeter challenge!

Draw three shapes, all with different areas but the same perimeter.

7

9

8

Accept any suitable answers.

I found this:

Easy

Challenging

I needed help