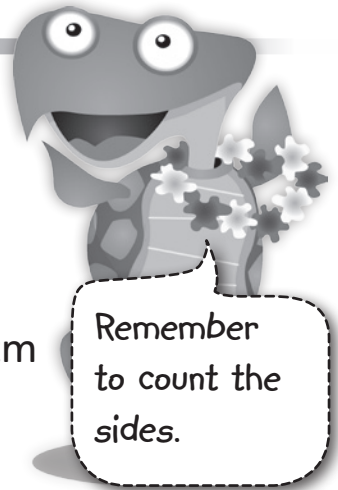
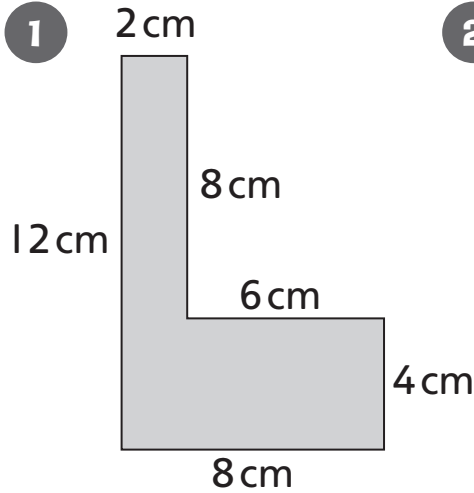


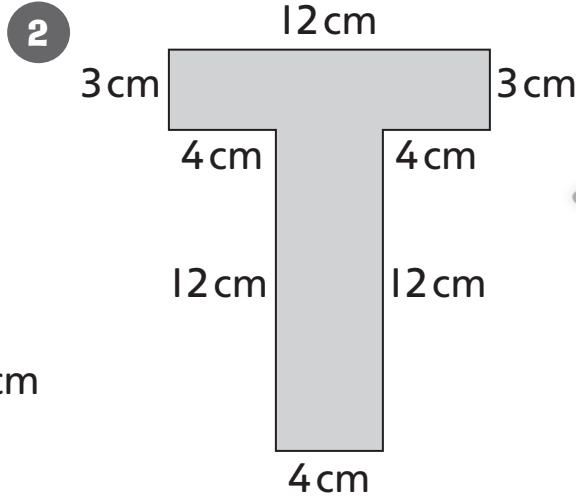
Shape up!



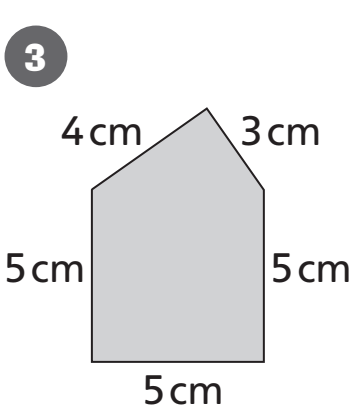
Write the name of each shape and calculate its perimeter.



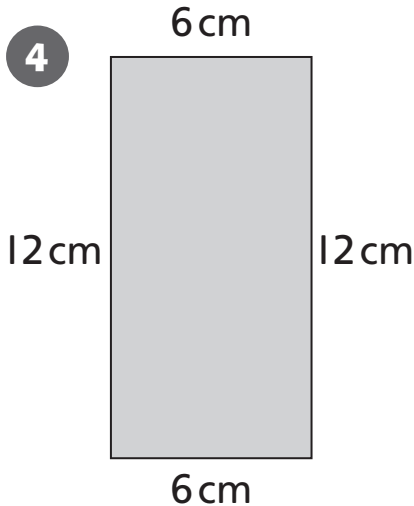
Perimeter:



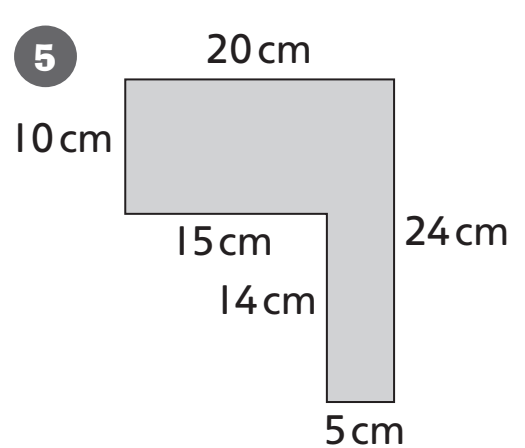
Perimeter:



Perimeter:



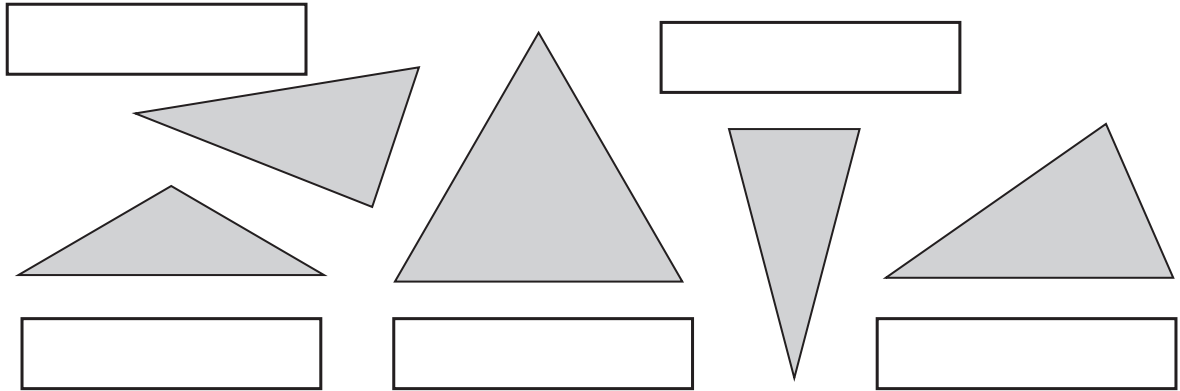
Perimeter:



Perimeter:

Which triangle?

- 6 Look at these triangles and label each one scalene, isosceles or equilateral.



Perimeter challenge!

Draw three shapes, all with different areas but the same perimeter.

7

9

8

I found this:

